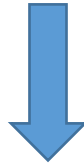


## NetApp Certification NS0-170 Exam



- **Vendor: Network Appliance**
- **Exam Code: NS0-170**
- **Exam Name: Cisco and NetApp FlexPod Design**

**Get Complete Version Exam NS0-170 Dumps with VCE and PDF Here**



<https://www.passleader.com/ns0-170.html>

**QUESTION 1**

What is the maximum aggregate traffic available to a half-width UCS B-Series blade in a 5108 Chassis with two 2208XP Fabric Extenders, Cisco VIC 1240 adapter, and Cisco Port Expander Card for VIC 1240?

- A. 40 Gb
- B. 80 Gb
- C. 120 Gb
- D. 320 Gb

**Answer: B**

**QUESTION 2**

Which four are components of Cisco UCS stateless computing? (Choose four.)

- A. Utilization of service profiles to apply parameter settings from server hardware.
- B. Elements of a server's personality, which may be included in a service profile, include firmware versions, UUID, MAC Addresses, World Wide Names, and boot settings.
- C. A one to one mapping of an application to a server.
- D. Boot from SAN.
- E. Every physical server in a Cisco UCS instance should remain anonymous until you associate a service profile with it.
- F. A one to one mapping to the identity information burned into the hardware (mac addresses, etc.).

**Answer: ABDE**

**QUESTION 3**

Which connectivity mode for Cisco UCS C-Series Rack-Mount Server management is supported beginning with Cisco UCS Manager release version 2.1 and above?

- A. Dual-wire Management
- B. Single-wire Management
- C. Quad-wire Management
- D. Side Frame management

**Answer: B**

**QUESTION 4**

Which feature is supported for virtual machines configured with Direct Path I/O using Cisco Virtual Machine Fabric Extender (VM-FEX) distributed switches?

- A. vMotion
- B. Record and Play
- C. Fault tolerance
- D. Unlimited DVS creation per Cisco UCS domain

**Answer: A**

**QUESTION 5**

Which four VLANs can be configured on UCS platform? (Choose four.)

- A. 1

- B. 199
- C. 1001
- D. 3968
- E. 4001
- F. 4047
- G. 4090
- H. 4096

**Answer: ABCG**

**QUESTION 6**

Which of the following is an example of a Cisco UCS high availability component?

- A. Clustered fabric interconnects
- B. vMotion
- C. Live migration
- D. Cluster shared volumes

**Answer: A**

**QUESTION 7**

Which traffic through a UCS 6200 cluster can be in Active-Standby mode?

- A. Data traffic only
- B. FHRP
- C. Data and management traffic
- D. Management traffic only

**Answer: D**

**QUESTION 8**

Which is true about UCS High Availability?

- A. Support for 3 Fabric Interconnects.
- B. Dual homing IOM to Fabric Interconnects.
- C. Port Channeling within UCS system requires Fabric Interconnects and IOMs to be at least second generation.
- D. UCSM supports vPC configuration.

**Answer: C**

**QUESTION 9**

Which of the following is a component of stateless computing with Cisco UCS?

- A. Utilization of identity information burned into the hardware
- B. Operating System boot from server local disk
- C. Utilization of service profiles to apply SAN connectivity attributes
- D. Treating each server as a traditional rack mount server

**Answer: C**

**QUESTION 10**

Referring to the exhibit. The numerals in the red rectangle, what will be this servers Boot from SAN order?

Name	Order	vNIC/vHBA/iSCSI vNIC	Type	Lun ID	WWN
CD-ROM	1				
Storage	2				
SAN primary		vHBA_A	Primary		
SAN Target primary	1	2	Primary	0	50:06:01:60:33:A0:78:01
SAN Target secondary			Secondary	0	50:06:01:68:33:A0:78:01
SAN secondary		vHBA_B	Secondary		
SAN Target primary	3		Primary	0	50:06:01:69:33:A0:78:01
SAN Target secondary			Secondary	0	50:06:01:61:33:A0:78:01

- A. 1, 2, 3, 4
- B. 1, 3, 2, 4
- C. Not enough information
- D. 3, 4, 1, 2

**Answer: C**

**QUESTION 11**

For FI 6248 with a GEM module, what is the possible assignment of ports for native Fibre Channel and Ethernet?

- A. Eth ports: 1-21, 33-48; Fibre Channel ports: 22-32
- B. Eth ports: 1-18, 33-40; Fibre Channel ports: 19-32, 41-48
- C. Eth ports: 1-21; Fibre Channel ports: 22-48
- D. Eth ports: 1-16, 41-48; Fibre Channel ports: 17-40

**Answer: B**

**QUESTION 12**

Cisco UCS Manager may be used to manage which four tasks within a Cisco UCS domain? (Choose four.)

- A. Cisco UCS hardware including the chassis, servers, fabric interconnects, and i/o modules.
- B. Cisco UCS resource management including WWN addresses, MAC addresses, UUIDs, and bandwidth.
- C. Deployment of a Windows or Linux Operating system.
- D. Management of non-Cisco x86 systems.
- E. Network administration such as creating VLANs, uplink ports, port channels and LAN PIN groups.
- F. SAN configuration tasks such as creating VSANs, QoS classes and definitions, and port channels.
- G. Deploy patches for software, such as an OS or an application.
- H. Install software applications, such as databases, application server software, or web servers.

**Answer: ABEF**

**QUESTION 13**

Which item is an example of Role-Based Access Control and multi-tenancy support that can be applied to a UCS environment using the Cisco UCS Manager?

- A. Create roles for Data ONTAP Vserver administrators
- B. Create a storage administrator role with control over tasks related to the SAN
- C. Create interface groups on NetApp storage
- D. Apply NFS read/write access to a network share

**Answer: B**

**QUESTION 14**

Which Cisco Nexus switch is designed for low latency L2/L3 IP only networks?

- A. Nexus 5548
- B. Nexus 7000
- C. Nexus 3048
- D. Nexus 5596

**Answer: C**

**QUESTION 15**

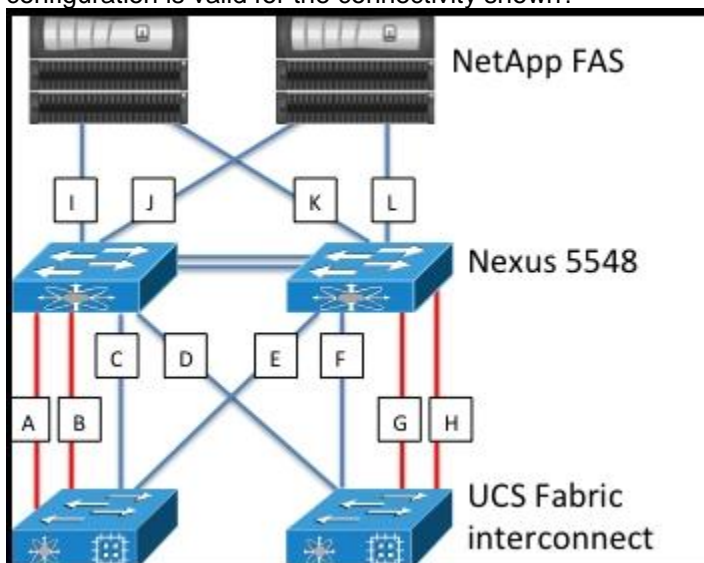
In a FlexPod design, when can NetApp storage be directly connected to a Cisco UCS server?

- A. Never
- B. Always
- C. Only in a FlexPod Select design
- D. Only in a FlexPod Express design
- E. Only in a FlexPod DataCenter design

**Answer: C**

**QUESTION 16**

Referring to the exhibit. Following FlexPod recommended practices, which portchannel configuration is valid for the connectivity shown?



- A. A and B. portchannel 1

- C and E. po2 and vpc 2
- D and F. po3 and vpc 3
- G and H. portchannel 1
- I and K. po11 and vpc 11
- J and L. po12 and vpc 12
- B. A and B. vpc 1
- C and E. po2 and vpc 2
- D and F. po3 and vpc 3
- G and H. vpc 4
- I and K. po11 and vpc 11
- J and L. po12 and vpc 12
- C. A and B. portchannel 1
- C and D. po2 and vpc 2
- E and F. po3 and vpc 3
- G and H. portchannel 4
- I and J. po11 and vpc 11
- K and L. po12 and vpc 12
- D. A and B. portchannel 1
- C and D. vpc 2
- E and F. vpc 2
- G and H. portchannel 4
- I and J. vpc 11
- K and L. vpc 11
- E. A and B. po1 and vpc 1
- C and D. po2 and vpc 2
- E and F. po3 and vpc 3
- G and H. po4 and vpc 4
- I and J. po11 and vpc 11
- K and L. po12 and vpc 12

**Answer: A**

**QUESTION 17**

Which hardware device should provide Fibre Channel services in a FlexPod design?

- A. Cisco UCS 6248 Fabric Interconnect
- B. NetApp FAS
- C. Cisco Nexus 3000
- D. Cisco Nexus 5500

**Answer: D**

**QUESTION 18**

When using Virtual Port Channel (vPC) on a Nexus 5500 switch, what protocol is responsible for synchronization of configuration, spanning tree, MAC and VLAN information?

- A. Fibre Channel over Ethernet (FCoE)
- B. Spanning Tree Protocol (STP)
- C. LACP
- D. Cisco Fabric Services over Ethernet (CFSoverE)

**Answer: D**

**QUESTION 19**

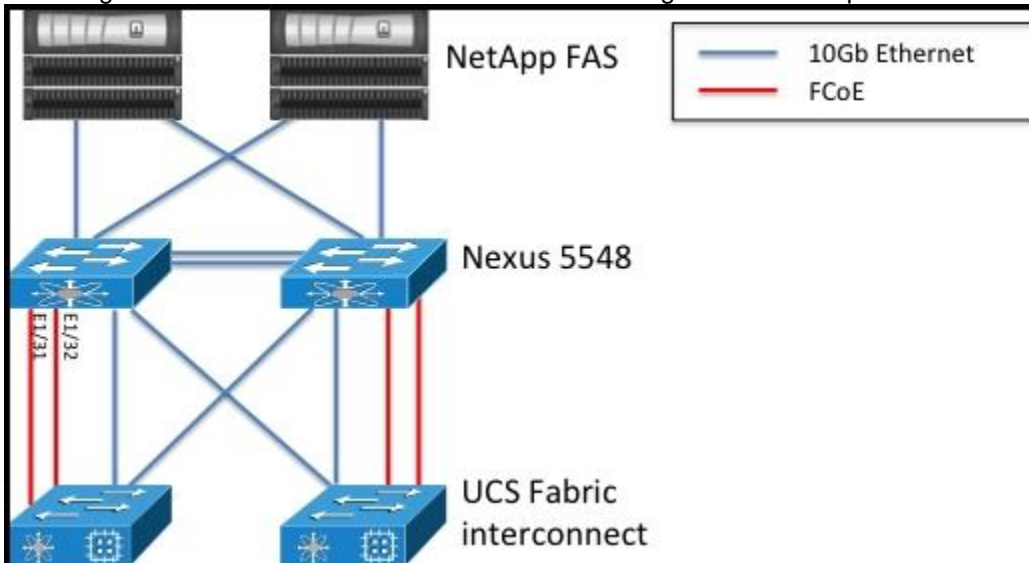
Under what circumstance can a Cisco Nexus 5548 perform an ISSU (nondisruptive)?

- A. When configured for VPCs
- B. When configured for L3
- C. When an STP-enabled switch is connected downstream
- D. When the STP Bridge Assurance feature is running on a link other than the VPC peer link

**Answer: A**

**QUESTION 20**

Referring to the exhibit. What would be the correct configuration for the ports labeled?



.....

**Answer: A**

**QUESTION 21**

How many cluster interconnect switch(es) are required for a 4-node NetApp cluster?

- A. 1
- B. 2
- C. 4
- D. 6

**Answer: B**

**QUESTION 22**

Clustered Data ONTAP supports which three types of disk drives? (Choose three.)

- A. HAS
- B. InfiniBand
- C. SAS
- D. SATA

E. SSD

**Answer: CDE**

**QUESTION 23**

With Data ONTAP 8.1.2, what must be upgraded to the latest firmware to take advantage of the latest updates available for the remote management device?

- A. CPU
- B. Disk Firmware
- C. Service Processor (SP)
- D. Cisco Integrated Management Controller (CIMC)

**Answer: C**

**QUESTION 24**

Before being added to an interface group, interfaces must be in what state?

- A. Active
- B. Down
- C. Maintenance
- D. Up

**Answer: B**

**QUESTION 25**

Which two LIFs are able to failover or migrate to other nodes in the cluster? (Choose two.)

- A. data LIF of protocol CIFS
- B. data LIF of protocol FCoE
- C. data LIF of protocol iSCSI
- D. data LIF of protocol NFS
- E. intercluster LIF
- F. node management LIF

**Answer: AD**

**QUESTION 26**

With Data ONTAP 8.2 or later, a two-node cluster has which two connections? (Choose two.)

- A. 2x connections for HA Pair storage failover
- B. 4x connections for HA Pair storage failover
- C. 2x Infiniband connections cross connected on each node for the Cluster interconnect
- D. 2x 10GbE Ethernet connections cross connected on each node for the Cluster interconnect
- E. 4x 10GbE Ethernet connections cross connected on each node for the Cluster interconnect

**Answer: AD**

**QUESTION 27**

Clustered Data ONTAP 8.1 or later provides what four storage efficiency features? (Choose four.)



- A. compression
- B. deduplication
- C. FlexClone
- D. MetroCluster
- E. thin provisioning
- F. transparent files

**Answer: ABCE**

**QUESTION 28**

What is the NetApp recommended bit length that the SSL key should be?

- A. 512
- B. 768
- C. 1024
- D. 9216

**Answer: C**

**QUESTION 29**

Which four are features of VMware vSphere as part of a FlexPod Solution? (Choose four.)

- A. Workload mobility via vMotion
- B. High Availability through vSphere clustering technology providing virtual machine resiliency in the event of a physical server or guest OS failures
- C. Storage thin provisioning capabilities
- D. Dynamic workload distribution for efficient resource utilization with Distributed Resource Scheduler (DRS)
- E. An improved virtual hard disk format called VHDX
- F. Improved support for Live Migration with no limits
- G. The ability to manage non-ESXi hypervisors such as Microsoft HyperV
- H. Support for NVGRE in the vNetwork Standard Switch (vSS)

**Answer: ABCD**

**QUESTION 30**

The FlexPod Data Center with VMware vSphere 5.1 solution utilizes a clustered file system that allows multiple hosts simultaneous read and write access to a single volume. What is the name of this file system?

- A. NTFS
- B. FAT
- C. VMFS
- D. VHDX

**Answer: C**

**QUESTION 31**

The FlexPod Data Center with VMware vSphere 5.1 solution utilizes vSphere High Availability (HA). What is a benefit of the vSphere HA feature?

- A. Allocate and balance computing capacity dynamically

- B. Automated restart of virtual machines on other available servers in the case of primary server failure
- C. Continuous availability for applications in the event of server failures by creating a live shadow instance of a virtual machine that is always up to date with the primary virtual machine
- D. Ensuring zero downtime for all applications

**Answer: B**

**QUESTION 32**

Which four are features of Microsoft HyperV as part of a FlexPod Private Cloud Solution? (Choose four.)

- A. Live migration support with no limits (as many as hardware will allow)
- B. Up to 64 Servers in a Cluster
- C. Virtual Fibre Channel support, allowing virtual machines to have unmediated access to SAN LUNs
- D. Virtual Machines on file storage using Server Message Block (SMB)
- E. Fault Tolerance to provide continuous availability for applications by providing a live shadow instance of a virtual machine
- F. NIC teaming via partners only
- G. Up to 32GB of VM Memory per guest
- H. Maximum physical memory of 500 GB

**Answer: ABCD**

**QUESTION 33**

The FlexPod Data Center with Microsoft Fast Track Private Cloud 3 Solution utilizes an updated virtual hard disk format to support virtual disks up to 64 TB in size. What is this Windows Server 2012 Hyper-V virtual disk format?

- A. VMDK
- B. VHDX
- C. VHD
- D. HDFS

**Answer: B**

**QUESTION 34**

Which protocol is currently supported on the Nexus 1000V to support network isolation among virtual machines beyond traditional VLANs for cloud-scale networking?

- A. Stateless Transport Tunneling (STT)
- B. Overlay Transport Virtualization (OTV)
- C. Virtual Extensible Local Area Network (VXLAN)
- D. vPath

**Answer: C**

**QUESTION 35**

Which VMware vSphere feature allocates and balances computing capacity dynamically across collections of hardware resources for virtual machines?

- A. vSphere Fault Tolerance (FT)
- B. vSphere High Availability (HA)

- C. vSphere Distributed Resource Scheduler (DRS)
- D. vSphere AutoDeploy

**Answer: C**

**QUESTION 36**

Windows 2012 Hyper-V role requires which four components for installation? (Choose four.)

- A. Windows hypervisor
- B. Microsoft AppFabric Service
- C. Hyper-V Virtual Machine Management Service
- D. Virtualization WMI provider
- E. Virtual Infrastructure driver
- F. Internet Information Services
- G. Microsoft SQL Server 2012
- H. Cisco Nexus 1000V

**Answer: ACDE**

**QUESTION 37**

Which Microsoft Hyper-V and System Center VMM feature allows for creation of multiple VM networks on top of a logical network and allows for tenant use of overlapping IP addresses?

- A. Load Balancer Integration
- B. Network Virtualization
- C. VLAN-based configuration
- D. Stateless Transport Protocol

**Answer: B**

**QUESTION 38**

What MTU setting should be configured for VMware ESXi VMkernel Ports and Virtual Switches in a FCoE boot from SAN environment?

- A. 9000
- B. 1500
- C. 1492
- D. 9216

**Answer: A**

**QUESTION 39**

Which presents a high level ordering of operations for installing VMware ESXi to the SAN-bootable LUN of a host?

- A. Map ISO image file, reboot server, choose ESXi installer, Accept EULA, Choose NetApp LUN as installation disk, confirm root password, accept remove existing partitions warning and continue, unmap ESXi installation image, reboot
- B. Map ISO image file, choose ESXi installer, Accept EULA, choose local LSI storage device, confirm root password, unmap ESXi installation image, reboot
- C. Boot server, choose ESXi installer, Accept EULA, Choose NetApp LUN as installation disk, confirm root password, accept remove existing partitions warning and continue, reboot

- D. Map ISO image file, reboot server, choose ESXi installer, Accept EULA, Choose NetApp LUN as installation disk, confirm root password, reboot

**Answer: A**

**QUESTION 40**

Which four items are required in order to create a Gold Master Boot LUN to automate the provisioning of Hyper-V hosts using the built-in LUN cloning capabilities of NetApp storage? (Choose four.)

- A. Create additional virtual fibre channel (vfc) interfaces for the Nexus 5500
- B. Creation of a LUN for the Gold Master Boot LUN
- C. Configuration of the Server OS and hotfix installation
- D. Create a new interface group on the NetApp Cluster
- E. SysPrep of the server operating system
- F. Creation of a service profile and zoning for Gold Master Boot LUN
- G. Establish connectivity with System Center
- H. Install Microsoft SQL Server 2012

**Answer: BCEF**

**QUESTION 41**

When configuring a FlexPod environment for iSCSI boot with Cisco UCS, which item should be preconfigured?

- A. All zoning should be configured
- B. Zonesets should be created
- C. IQN and IP address of target
- D. WWPN Pools

**Answer: C**

**QUESTION 42**

Which four are improvements in Hyper-V capabilities in Windows Server 2012 vs. Windows Server 2008 R2? (Choose four.)

- A. Increased cluster nodes supported from 16 to 64
- B. VM guest clustering via iSCSI only
- C. SR-IOV networking support
- D. Network QoS support
- E. VM trunk mode
- F. Live migration with five concurrent migration maximum
- G. Physical memory support up to 1 TB
- H. VM memory up to 64 GB

**Answer: ACDE**

**QUESTION 43**

Which sends support summary information to NetApp through HTTPS?

- A. AutoSupport

- B. FlexSupport
- C. SnapSupport
- D. TechSupport

**Answer: A**

**QUESTION 44**

What are the two expected outputs of network interface show? (Choose two.)

- A. IP addresses of NAS and iSCSI logical interfaces
- B. iSCSI IQNs
- C. Namespace of SAN logical interfaces
- D. System WW node name
- E. WW port names of Fibre Channel and FCoE logical interfaces

**Answer: AE**

**QUESTION 45**

What software program manages a NetApp storage controller with Data ONTAP 8.1 or later?

- A. FilerView
- B. OnCommand System Manager
- C. UCS Manager
- D. Web Browser

**Answer: B**

**QUESTION 46**

When configuring a volume to contain a LUN, which administrative tool automatically applies NetApp recommendations?

- A. Data ONTAP command-line interface
- B. Microsoft SystemCenter
- C. OnCommand System Manager
- D. VMware vSphere

**Answer: C**

**QUESTION 47**

Which guide ensures that the NetApp hardware and software components are supported with the version of Data ONTAP that you plan to install?

- A. KB Articles
- B. CVD Documents
- C. Storage Partition Guide
- D. System Configuration Guides

**Answer: D**

**QUESTION 48**

Which is a post sales implementation configuration and health check tool for NetApp systems or FlexPod?

- A. Cisco UCS Sizer for Enterprise Applications
- B. Cisco Resource Comparison Tool
- C. NetApp Solution Builder
- D. NetApp Config Advisor

**Answer: D**

**QUESTION 49**

Which tool may be used to determine the optimal UCS hardware configurations for SAP, Oracle, and Microsoft Enterprise Applications FlexPod solutions?

- A. Microsoft Assessment and Planning (MAP) Toolkit
- B. NetApp Solution Builder
- C. Cisco UCS Sizer for Enterprise Applications
- D. Cisco Resource Comparison Tool

**Answer: C**

**QUESTION 50**

Which of the following tools is designed to inventory existing VMware vSphere, Linux, and Microsoft Windows Server versions in a customer environment?

- A. Cisco UCS Sizer for Enterprise Applications
- B. Cisco UCS Central
- C. Microsoft Assessment and Planning (MAP) Toolkit
- D. Cisco Resource Comparison Tool

**Answer: C**

**QUESTION 51**

One of the items below cannot be set for NetCache authentication groups, which one is it?

- A. administrative rights
- B. group name
- C. group password
- D. protocol access permissions

**Answer: C**

**QUESTION 52**

State whether the following statement is true or false. Disk ID is represented in x.y format, where x refers to the host adaptor and y refers to the disk ID number.

- A. False
- B. True

**Answer: B**

**QUESTION 53**

Which of the following are supported interface types? (Choose three.)

- A. ATM
- B. Gigabit Ethernet, copper
- C. Gigabit Ethernet, fiber
- D. 10/100 Ethernet

**Answer: BCD**

**QUESTION 54**

For which of the following would the "NTLM Cache" feature normally be used?

- A. EnablesNetCache to authenticate users using NTLM.
- B. Enables the caching and reuse of NTLM challenges in order to reduce the processing load on the domain controller.
- C. EnablesNetCache to cache NTLM-authenticated objects.
- D. Enables cached objects retrieved as the result of a successful NTLM exchange to be served to new users without requiring authentication.

**Answer: B**

**QUESTION 55**

State whether the following statement is true or false. A packet trace captured by the NetCache can capture traffic to/from a specific IP address.

- A. True
- B. False

**Answer: A**

**QUESTION 56**

One of the below object types cannot run a cache, which one is it?

- A. HTTP 200 OK responses
- B. VOD MPEG4 Streams
- C. DNS A records
- D. VOD MMS Streams

**Answer: B**

**QUESTION 57**

One of the below NetCache appliances maximum storage capacity is 504 GB, which of the following is it?

- A. C1200
- B. C6200
- C. C2100
- D. All the above

**Answer: C**

**QUESTION 58**

What occurs on the NetCache once you enable DNS caching?

- A. begins to cache DNS responses for its own queries
- B. contacts the authoritative name server to download all of its records
- C. acts as a DNS cache for client-initiated DNS lookups
- D. becomes the authoritative name server for its domain

**Answer: C**

**QUESTION 59**

State whether the following statement is true or false. To enable the NetCache appliance to load balance between a pool of Web servers you must specify the server IP addresses in the NetCache acceleration rule.

- A. False
- B. True

**Answer: B**

**QUESTION 60**

State whether the following statement is true or false. The backup/restore option in the Maintenance section of the Appliance Manager can possibly be used to restore and backup files of configuration type only.

- A. False
- B. True

**Answer: A**

**QUESTION 61**

Which one of the following is the CLI equivalent command used for installing, committing, and rebooting NetCache software images from NetCache GUI guessing that the path for the server is `http://10.1.1.1/nc-image.zip`?

- A. `download -icr http://10.1.1.1/nc-image.zip`
- B. `download -i -c -r http://10.1.1.1/nc-image.zip`
- C. `install http://10.1.1.1/nc-image.zip`
- D. `install -dcr http://10.1.1.1/nc-image.zip`

**Answer: D**

**QUESTION 62**

One of the access methods below will maintain boot messages right across all reboots, which one is it?

- A. Console
- B. Telnet
- C. SSH
- D. RSH

**Answer: A**

**QUESTION 63**

Once created and is successfully running, it is possible that NetCache groups be edited to revise



names, permissions, or ACLs. State whether the above statement is true or false.

- A. Flase
- B. True

**Answer: B**

**QUESTION 64**

Which of the following commands would you make use of to view the available options for the showing config.http.acl command?

- A. helpconfig.acl
- B. showconfig.http.acl
- C. config.acl help
- D. help

**Answer: B**

**QUESTION 65**

The default hierarchy wholly consists of a child and a parent in NetCache where the parent in the NetCaches has an option of being in a cluster configuration. State whether the above statement is true or false.

- A. False
- B. True

**Answer: B**

**QUESTION 66**

Which of the following options shows the most accurate average response time shown in many different NetCache statistical displays?

- A. Configurable to any of the above
- B. Median (middle number)
- C. Mean (arithmetic average)
- D. Mode (most common number)

**Answer: C**

**QUESTION 67**

State whether the following statement is true or false. In a forward proxy deployment, the NetCache appliance is normally installed close to the end user and administered by the service providers.

- A. False
- B. True

**Answer: B**

**QUESTION 68**

What command displays routing tables for NetCache appliances?

- A. routestat

- B. netstat -m
- C. sysstat 1
- D. ifstat -a

**Answer: B**

**QUESTION 69**

The correct manner in which to open a Network Appliance support ticket is to \_\_\_\_ at the NOW site.

- A. Submit a RMA
- B. Submit a support ticket
- C. Submit a Case
- D. Submit a BURT

**Answer: C**

**QUESTION 70**

Through which of the following requests cant the Browser be directed to the NetCache?

- A. configuring the browser client to use an automatic proxy configuration file
- B. transparent redirection with WCCP on a Cisco router or switch
- C. configuring the browser client to use WCCP
- D. transparent redirection with a Layer 4 switch

**Answer: C**

**QUESTION 71**

State whether the following statement is true or false. The NOW site holds data maintained by the Network Appliance. This information consists of records and customer product information but this data is only available to authorized users.

- A. False
- B. True

**Answer: B**

**QUESTION 72**

Which of the following must you successfully specify when configuring the NTLM authentication?

- A. UNIX computer to use
- B. None of the above
- C. Windows domain controller to use
- D. RADIUS server

**Answer: C**

**QUESTION 73**

In which of the following sites can a complete list of Network Appliance support centers be found?

- A. now.netapp.com
- B. www.netapp.com

- C. ftp.netapp.com
- D. NetCache online help

**Answer: A**

**QUESTION 74**

One of the below ACLs will enable the allowance requests from Engineering groups to www.netapp.com, which one is it?

- A. allow group "engineering" and server-domain www.netapp.com
- B. allow group name "engineering" and server-name matches ".netapp.com\$"
- C. allow group "engineering" and server-name www.netapp.com
- D. allow group name "engineering" and server-name www.netapp.com

**Answer: C**

**QUESTION 75**

How would you know when the NetCache logs switched?

- A. When the log reaches a specified size or according to a schedule.
- B. Whenever the log switching command is executed.
- C. Only when the log reaches a specified size.
- D. Every four hours by default.

**Answer: A**

**QUESTION 76**

The NetCache appliance cannot be used for which of the following?

- A. SMTP proxy
- B. HTTP URL filtering
- C. DNS caching
- D. NFS caching

**Answer: A**

**QUESTION 77**

When would the ideal time to use the NetCache DNS Tree Search option?

- A. users will not always provide fully-qualified domain names
- B. users always provide fully-qualified domain names
- C. you want to reduce network traffic
- D. faster resolutions are desired

**Answer: A**

**QUESTION 78**

Which of the following commands are used for running automated diagnostic analysis routines?

- A. diag list
- B. diag dump

- C. netstat -d
- D. ifstat -a

**Answer: B**

**QUESTION 79**

What is the traceroute command used for?

- A. print the route packets take to a network host
- B. display a list of active sockets for each protocol
- C. report interface activity in Kbps
- D. show the state of each interface

**Answer: A**

**QUESTION 80**

Which two of the following functions can the NetCache appliance's clock carry out?

- A. be synchronized with RDATE servers
- B. be synchronized with NTP servers
- C. be synchronized with Windows domain controllers
- D. NOT be synchronized with a remote server

**Answer: AB**

**QUESTION 81**

What must be done in order to add a user to the appliance database, which two of the following you must enter?

- A. group
- B. user name
- C. access permissions
- D. password

**Answer: BD**

**QUESTION 82**

Which of the following actions must you take in order to reach the NetCache firmware prompt ("OK prompt")?

- A. enter the prompt command
- B. press Esc
- C. enter the halt command
- D. set the environment variable, floppy-boot to off

**Answer: C**

**QUESTION 83**

Two of the below statements are untrue. Select them.

- A. The Messages log file can be pushed to a remote FTP server at scheduled intervals.
- B. The HTTP log file cannot be pushed to a remote HTTPS server at scheduled intervals.

- C. The HTTP log file can be pushed to a remote FTP server in compressed format.
- D. The Messages log file cannot be pushed to a remote FTP server in compressed format.

**Answer: AB**

**QUESTION 84**

State whether the following statement is true or false. A multi-mode VIF merges two physical interfaces together where traffic is then active on both of the physical interfaces.

- A. False
- B. True

**Answer: B**

**QUESTION 85**

Two of the below options will not be added to the Autosupport message if NetCache Autosupport has been configured to show minimal detail, which two is it? (Choose two.)

- A. NetCache IP address.
- B. Appliance hostname.
- C. System serial number.
- D. Software licenses enabled on the appliance.

**Answer: AB**

**QUESTION 86**

One of these NetCache Utility features is capable of capturing packets that are currently in the process of arriving or leaving via the network interfaces, which one is it?

- A. capture
- B. pktt
- C. tcpdump
- D. snoop

**Answer: B**

**QUESTION 87**

Which of the following options best describes what the configure "Shared User Hosts" feature that is found under Appliance Manager's Setup > FTP > Caching Behavior is used for?

- A. a shared IP address that all requesting clients will use to circumvent any authentication or user-specific key requirements on the backend FTP servers
- B. FTP servers from which fetched objects will be cached and served without a user-specific key requirement in order to increase the caching efficiency
- C. a subset of FTP servers that will be accelerated by the NetCache appliance
- D. a subset of FTP servers that can be bound to a shared virtual IP address in order to increase overall caching efficiency

**Answer: B**

**QUESTION 88**

One of the below ACLs will OK the requests from Engineering groups to www.netapp.com, which

one could it be?

- A. allow group "engineering" and server-domain www.netapp.com
- B. allow group name "engineering" and server-name www.netapp.com
- C. allow group "engineering" and server-name www.netapp.com
- D. allow group name "engineering" and server-name matches ".netapp.com\$"

**Answer: C**

**QUESTION 89**

Which of the following options log only reports displays Web request data?

- A. Web Access
- B. Messages
- C. Web Server Acceleration
- D. Web Details

**Answer: D**

**QUESTION 90**

Two of the below statements are exactly the same? Choose the two.

- A. setconfig.http.ports \ 8080,8081 \
- B. setconfig.http.ports "8080 , 8081"
- C. setconfig.http.ports "8080" "8081"
- D. setconfig.http.ports // 8080 , 8081 \

**Answer: AC**

**QUESTION 91**

Which of the following commands allows the NetCache interface configuration to be viewed?

- A. ifstat -a
- B. sysconfig -a
- C. ifconfig -a
- D. netstat -r

**Answer: C**

**QUESTION 92**

Which of the following syntaxes are used to receive extensive help definition for particular commands?

- A. [command] help
- B. ?
- C. command ?
- D. help [command]

**Answer: D**

**QUESTION 93**

Which method can be used to manage the NetCache appliances but can't be used to access the

Command Line Interface (CLI)?

- A. Telnet
- B. HTTP
- C. Console
- D. rsh

**Answer: B**

**QUESTION 94**

Which of the following does the NetCache not use when sending a packet beyond the local area network?

- A. OSPF routing updates to decide which router to send the packet to
- B. ICMP redirects to decide which router to send the packet to
- C. RIP routing updates to decide which router to send the packet to
- D. a static routing table to decide which router to send the packet to

**Answer: A**

**QUESTION 95**

Which of the following would be the default HTTP proxy port on the NetCache?

- A. 3128
- B. 3132
- C. 8080
- D. 80

**Answer: A**

**QUESTION 96**

State whether the following statement is true or false. The sysstat command allows the performance statistics to be viewed, which consists of the present CPU usage, the full amount of network I/O, and the amount of disk I/O.

- A. False
- B. True

**Answer: B**

**QUESTION 97**

State whether the following statement is true or false. When configured as an accelerator, the NetCache appliances are typically stationed near the server.

- A. False
- B. True

**Answer: B**

**QUESTION 98**

State whether the following statement is true or false. All defective parts require a RMA before to sending the product to Network Appliance.

- A. False
- B. True

**Answer: B**

**QUESTION 99**

What would be the reason for one using the NetCache Appliance Manager's Maintenance > Software > Error Pages feature?

- A. to generate custom responses for NetCache configuration errors
- B. to replace the error responses generated by the NetCache
- C. to replace the error responses generated by origin Web servers
- D. to enable logging of HTTP errors

**Answer: B**

**QUESTION 100**

Which two resources should be used by the NetCache to successfully build its routing table?

- A. ICMP redirects
- B. OSPF routing updates
- C. static routing table entries
- D. RIP routing updates

**Answer: AC**

**QUESTION 101**

State whether the following statement is true or false. The NetCache appliances use RAID 4 with 1 parity disk and 1 or more disk for data purposes only.

- A. True
- B. False

**Answer: A**

**QUESTION 102**

How can the Network Appliance field alerts be received? (Choose two.)

- A. replace autosupport
- B. are available at "www.netapp.com"
- C. are available at "now.netapp.com"
- D. may be received via email

**Answer: CD**

**QUESTION 103**

One of the services below cannot be categorized as a service supported by ICAP, which option is it?

- A. URL filtering
- B. Virus scanning of email content



- C. Virus scanning of content received through HTTP
- D. Active content stripping

**Answer: B**

**QUESTION 104**

Which two of the following vendors?content filtering databases currently have support on the NetCache? (Choose two.)

- A. SurfControl
- B. Secure Computing
- C. TrendMicro
- D. WebWasher

**Answer: BD**

**QUESTION 105**

State whether the following statement is true or false. All NetApp Services do not include System Administration Services.

- A. True
- B. False

**Answer: A**

**QUESTION 106**

To which of the following is NetCache not able to validate authentication credentials?

- A. TACAS+ server
- B. Local appliance database
- C. RADIUS server
- D. LDAPS server

**Answer: A**

**QUESTION 107**

Which of the following statements best describe what must be done when configuring a NetCache as a reverse proxy?

- A. have an acceleration license
- B. write one or more ACLs
- C. write one or more acceleration rules
- D. reconfigure the client's browser

**Answer: C**

**QUESTION 108**

Which of the following occurs when the diag dump command is selected?

- A. The existing diagnostics file is overwritten.
- B. A new diagnostics file is created.
- C. The diagnostics file is automatically sent to NetApp support.

D. An Autosupport message is generated.

**Answer: B**

**QUESTION 109**

How many disk drives does a C2100 appliance use?

- A. two to seven
- B. one to seven
- C. two to three
- D. one to three

**Answer: A**

**QUESTION 110**

What should occur if the auth ftp command was used in a proxy configured environment?

- A. authenticate all FTP requests
- B. allow FTP requests and execute the remaining FTP ACLs
- C. allow FTP requests and bypass the remaining FTPACLs enable/disable FTP over HTTPS
- D. ignore ACLs for FTP over HTTP

**Answer: A**

**QUESTION 111**

State whether the following statement is true or false. The default NetCache HTTP administration port is 3132 and it is one of the configurable options.

- A. True
- B. False

**Answer: A**

**QUESTION 112**

One of the actions below cannot be accomplished with the NetCache command line, which one is it?

- A. Eject objects from the NetCache
- B. Download software
- C. Set root password
- D. Kick off telnet users

**Answer: D**

**QUESTION 113**

One of the below will allow all of the NetCache appliance's present configuration settings to be viewed, which one is it?

- A. showconfig.\*
- B. showconfig ?
- C. showconfig.?
- D. showconfig \*

**Answer: A**

**QUESTION 114**

One of the below is the correct command to download software directly to the NetCache, which one is it?

- A. set software -dc
- B. config install -dl
- C. install -dc
- D. download -dl

**Answer: D**

**QUESTION 115**

Via which of the following can the console password be changed?

- A. the Appliance Manager
- B. the console
- C. rsh
- D. floppy disk

**Answer: B**

**QUESTION 116**

Which of the following statements most accurately describes what would occur if she requested for [www.microsoft.com](http://www.microsoft.com) considering the following ACL policies, assuming user Johnny is a member of the Engineering group?

```
deny group Engineering and smartfilter gambling
auth any
allow group Execs
deny any
```

- A. The request is successful but redirected to a gambling website.
- B. The request is denied.
- C. The request is denied because of a Smartfilter match.
- D. The request is successful.

**Answer: B**

**QUESTION 117**

Where would the best place to find information about log headers, such as x-cs-headerlength?

- A. Guide to Caching Protocols and Services
- B. Guide to Messages and Logfile Entries
- C. Deployment Guide
- D. Administration Guide

**Answer: B**

**QUESTION 118**

Which of the following statements best describes what occurs with system messages?

- A. written to a log file that can be pushed to a remote FTP server at scheduled intervals
- B. printed on the console and can be sent in "real time" to a remote syslog server
- C. written to a log file that can be rotated at any time
- D. written to a log file that can be rotated at scheduled intervals

**Answer: B**

**QUESTION 119**

As a consequence of executing the ACL:

```
redirect "www.abc.com" url www.netapp.com
```

Which of the following is destined to happen?

- A. Requests for either www. abc.com or www.netapp.com will be redirected to the NetCache.
- B. Requests for www. abc.com will be redirected to www.netapp.com.
- C. Requests for www. abc.com will be rewritten using the information at www.netapp.com.
- D. Requests for www.netapp.com will be redirected to www. abc.com.

**Answer: D**

**QUESTION 120**

State whether the following statement is true or false. The flush cache command does not reduce disk space utilization.

- A. True
- B. False

**Answer: A**

**QUESTION 121**

Which of the following are impossible using the NetCache bandwidth allocation rules?

- A. limiting all incoming streaming bandwidth to 100Mbps for a particular group of authenticated users
- B. setting the TOS field to a specific value for all streaming media traffic sent to a particular client
- C. denying all UDP traffic destined for port 39 on interface e0a
- D. limiting the total bandwidth for HTTP traffic to clients on a specific subnet

**Answer: B**

**QUESTION 122**

Which one of the following ACLs will allow requests from the Engineering group to www.netapp.com?

- A. allow group "engineering" and server-name www.netapp.com
- B. allow group name "engineering" and server-name matches ".netapp\com\$"
- C. allow group name "engineering" and server-name www.netapp.com
- D. allow group "engineering" and server-domain www.netapp.com

**Answer: A**

**QUESTION 123**

What will happen as a result of executing the following ACL:

redirect "www.mycorp.com" url www.netapp.com

- A. Requests for www.mycorp.com will be redirected to www.netapp.com.
- B. Requests for either www.mycorp.com or www.netapp.com will be redirected to the NetCache.
- C. Requests for www.netapp.com will be redirected to www.mycorp.com.
- D. Requests for www.mycorp.com will be rewritten using the information at www.netapp.com.

**Answer: C**

**QUESTION 124**

A C2100 appliance uses \_\_\_\_ to \_\_\_\_ disk drives.

- A. one, seven
- B. two, seven
- C. one, three
- D. two, three

**Answer: B**

**QUESTION 125**

Disk ID is represented in x.y format, where x refers to the \_\_\_\_ and y refers to the \_\_\_\_.

- A. disk ID number, host adaptor
- B. parity disk, data disk
- C. host adaptor, disk ID number
- D. data disk, parity disk

**Answer: C**

**QUESTION 126**

The NetCache DNS Tree Search option is recommended when \_\_\_\_.

- A. users will not always provide fully-qualified domain names
- B. faster resolutions are desired
- C. users always provide fully-qualified domain names
- D. you want to reduce network traffic

**Answer: A**

**QUESTION 127**

Which two of the following resources are used by the NetCache to build its routing table? (Choose two.)

- A. static routing table entries
- B. ICMP redirects
- C. OSPF routing updates
- D. RIP routing updates

**Answer: AB**

**QUESTION 128**

A(n) \_\_\_\_ VIF combines two physical interfaces into a single virtual interface where traffic is active

on both physical interfaces.

- A. single-mode
- B. multi-mode
- C. cluster-mode
- D. aggregate-mode

**Answer: B**

**QUESTION 129**

If the auth ftp command is used in a proxy configured environment, the appliance will \_\_\_\_\_.

- A. allow FTP requests and execute the remaining FTP ACLs
- B. authenticate all FTP requests
- C. allow FTP requests and bypass the remaining FTP ACLs enable/disable FTP over HTTPS
- D. ignore ACLs for FTP over HTTP

**Answer: B**

**QUESTION 130**

The console password can only be changed via \_\_\_\_\_.

- A. floppy disk
- B. the console
- C. rsh
- D. the Appliance Manager

**Answer: B**

**QUESTION 131**

Which one of the following is the correct command to download software to the NetCache?

- A. install -dc
- B. download -dl
- C. set software -dc
- D. config install -dl

**Answer: B**

**QUESTION 132**

The backup/restore options in the Maintenance section of the Appliance Manager are used to backup and restore \_\_\_\_\_.

- A. log files only
- B. configuration files only
- C. log files and configuration files
- D. specified cached data

**Answer: B**

**QUESTION 133**

Which one of the following access methods will maintain boot messages across reboots?

- A. SSH
- B. RSH
- C. Telnet
- D. Console

**Answer: D**

**QUESTION 134**

When are NetCache logs switched?

- A. When the log reaches a specified size or according to a schedule.
- B. Only when the log reaches a specified size.
- C. Whenever the log switching command is executed.
- D. Every four hours by default.

**Answer: A**

**QUESTION 135**

The \_\_\_\_ log only reports Web request data.

- A. Messages
- B. Web Access
- C. Web Server Acceleration
- D. Web Details

**Answer: D**

**QUESTION 136**

The average response time shown in various NetCache statistical displays is the \_\_\_\_.

- A. Mode (most common number)
- B. Median (middle number)
- C. Mean (arithmetic average)
- D. Configurable to any of the above

**Answer: C**

**QUESTION 137**

Which two of the following statements are equivalent? (Choose two.)

- A. set config.http.ports "8080" "8081"
- B. set config.http.ports \ 8080 , 8081 \
- C. set config.http.ports // 8080 , 8081 \
- D. set config.http.ports "8080 , 8081"

**Answer: AB**

**QUESTION 138**

What syntax is used to get an extensive help definition for a particular command?

- A. help [command]
- B. ?
- C. [command] help
- D. command ?

**Answer: A**

**QUESTION 139**

Which one of the following methods can be used to manage the NetCache appliance but cannot be used to access the Command Line Interface (CLI)?

- A. Console
- B. Telnet
- C. rsh
- D. HTTP

**Answer: D**

**QUESTION 140**

Which one of the following items cannot be configured for NetCache authentication groups?

- A. group name
- B. protocol access permissions
- C. group password
- D. administrative rights

**Answer: C**

**QUESTION 141**

NetCache can validate authentication credentials to all of the following EXCEPT \_\_\_\_\_.

- A. Local appliance database
- B. RADIUS server
- C. LDAPS server
- D. TACAS+ server

**Answer: D**

**QUESTION 142**

Once created, NetCache groups \_\_\_\_\_.

- A. may not be edited
- B. must be used for authentication
- C. are required to match existing groups on the authentication server
- D. may be edited to revise names, permissions, or ACLs

**Answer: D**

**QUESTION 143**

The configure "Shared User Hosts" feature under the Appliance Manager's Setup > FTP > Caching Behavior is used to specify: \_\_\_\_\_.



- A. FTP servers from which fetched objects will be cached and served without a user-specific key requirement in order to increase the caching efficiency
- B. a subset of FTP servers that will be accelerated by the NetCache appliance
- C. a subset of FTP servers that can be bound to a shared virtual IP address in order to increase overall caching efficiency
- D. a shared IP address that all requesting clients will use to circumvent any authentication or user-specific key requirements on the backend FTP servers

**Answer: A**

**QUESTION 144**

When DNS caching is enabled on the NetCache, the appliance \_\_\_\_.

- A. begins to cache DNS responses for its own queries
- B. acts as a DNS cache for client-initiated DNS lookups
- C. contacts the authoritative name server to download all of its records
- D. becomes the authoritative name server for its domain

**Answer: B**

**QUESTION 145**

Which one of the following object types are not cacheable?

- A. HTTP 200 OK responses
- B. DNS A records
- C. VOD MPEG4 Streams
- D. VOD MMS Streams

**Answer: C**

**QUESTION 146**

The NetCache appliance may be used for all of the following EXCEPT \_\_\_\_.

- A. HTTP URL filtering
- B. SMTP proxy
- C. DNS caching
- D. NFS caching

**Answer: B**

**QUESTION 147**

Browser requests can be directed to the NetCache through all of the following methods EXCEPT \_\_\_\_.

- A. transparent redirection with a Layer 4 switch
- B. configuring the browser client to use WCCP
- C. transparent redirection with WCCP on a Cisco router or switch
- D. configuring the browser client to use an automatic proxy configuration file

**Answer: B**

**QUESTION 148**

Network Appliance maintains a record of customer product information on the NOW site and this data is \_\_\_\_\_.

- A. available to anyone with NOW access
- B. only available to authorized users
- C. available only during business hours
- D. only available to NetApp support staff

**Answer: B**

**QUESTION 149**

All of the following are supported interface types EXCEPT \_\_\_\_\_.

- A. 10/100 Ethernet
- B. Gigabit Ethernet, fiber
- C. Gigabit Ethernet, copper
- D. ATM

**Answer: D**

**QUESTION 150**

The \_\_\_\_\_ command shows the NetCache interface configuration.

- A. sysconfig -a
- B. ifconfig -a
- C. ifstat -a
- D. netstat -r

**Answer: B**

**QUESTION 151**

The traceroute command is used to \_\_\_\_\_.

- A. report interface activity in Kbps
- B. show the state of each interface
- C. print the route packets take to a network host
- D. display a list of active sockets for each protocol

**Answer: C**

**QUESTION 152**

The \_\_\_\_\_ command displays performance statistics, such as the current CPU usage, the amount of network I/O, and the amount of disk I/O.

- A. ifstat
- B. netstat
- C. stat
- D. sysstat

**Answer: D**

**QUESTION 153**

When configured as an accelerator, the NetCache appliance is typically located close to the \_\_\_\_.

- A. client(s)
- B. gateway
- C. server
- D. resolver

**Answer: C**

**QUESTION 154**

The default NetCache HTTP administration port is \_\_\_\_ and is a \_\_\_\_ option?

- A. 3128, nonconfigurable
- B. 3132, configurable
- C. 3128, configurable
- D. 3132, nonconfigurable

**Answer: B**

**QUESTION 155**

The best place to find information regarding a log header, such as x-cs-headerlength, is the \_\_\_\_.

- A. Deployment Guide
- B. Guide to Messages and Logfile Entries
- C. Guide to Caching Protocols and Services
- D. Administration Guide

**Answer: B**

**QUESTION 156**

If the NetCache Autosupport has been configured to provide minimal detail, which two of the following will not be included in the Autosupport message? (Choose two.)

- A. Software licenses enabled on the appliance.
- B. Appliance hostname.
- C. System serial number.
- D. NetCache IP address.

**Answer: BD**

**QUESTION 157**

What happens when the diag dump command is executed?

- A. A new diagnostics file is created.
- B. The existing diagnostics file is overwritten.
- C. The diagnostics file is automatically sent to NetApp support.
- D. An Autosupport message is generated.

**Answer: A**

**QUESTION 158**

The flush cache command \_\_\_\_.

- A. reduces disk space utilization
- B. does not remove locked objects
- C. does not reduce disk space utilization
- D. can only be used from the command line interface

**Answer: C**

**QUESTION 159**

NetApp Services include all of the following EXCEPT \_\_\_\_\_.

- A. Support services
- B. Professional services
- C. System Administration Services
- D. Education

**Answer: C**

**QUESTION 160**

Which one of the following will show all of the NetCache appliance's current configuration settings?

- A. showconfig ?
- B. showconfig \*
- C. showconfig.?
- D. showconfig.\*

**Answer: D**

**QUESTION 161**

Which one of the following actions cannot be accomplished from the NetCache command line?

- A. Download software
- B. Kick off telnet users
- C. Set root password
- D. Eject objects from the NetCache

**Answer: B**

**QUESTION 162**

When sending a packet beyond the local area network, the NetCache uses all of the following EXCEPT \_\_\_\_\_ to decide which router to send the packet to.

- A. static routing table
- B. ICMP redirects
- C. OSPF routing updates
- D. RIP routing updates

**Answer: C**

**QUESTION 163**

The \_\_\_\_\_ command is used to run automated diagnostic analysis routines.

- A. ifstat -a
- B. diag dump
- C. netstat -d
- D. diag list

**Answer: B**

**QUESTION 164**

Which one is the CLI equivalent command for installing, committing, and rebooting a NetCache software image from the NetCache GUI assuming the server path is http://10.1.1.1/nc-image.zip?

- A. install http://10.1.1.1/nc-image.zip
- B. download -i -c -r http://10.1.1.1/nc-image.zip
- C. install -dcr http://10.1.1.1/nc-image.zip
- D. download -icr http://10.1.1.1/nc-image.zip

**Answer: C**

**QUESTION 165**

A packet trace captured by the NetCache can \_\_\_\_\_.

- A. be sent to another host in real time
- B. capture traffic to/from a specific IP address
- C. be stored only on disk
- D. capture traffic to/from a specific port number

**Answer: B**

**QUESTION 166**

Which one of the following NetCache Utility feature captures packets arriving or leaving on the network interfaces?

- A. snoop
- B. pktt
- C. tcpdump
- D. capture

**Answer: B**

**QUESTION 167**

Which command would you use to see the available option choices for the show config.http.acl command?

- A. help
- B. show config.http.acl
- C. config.acl help
- D. help config.acl

**Answer: B**

**QUESTION 168**

A hierarchy consists of a child and a \_\_\_\_\_ NetCache where the \_\_\_\_\_ NetCaches may be in a \_\_\_\_\_

configuration.

- A. cluster, cluster, neighbor
- B. cluster, child, cluster
- C. parent, parent, cluster
- D. neighbor, neighbor, cluster

**Answer: C**

**QUESTION 169**

Which one of the following NetCache appliances has a maximum storage capacity of 504GB?

- A. C1200
- B. C2100
- C. C6200
- D. All the above

**Answer: B**

**QUESTION 170**

A complete listing of Network Appliance support centers is available at \_\_\_\_\_.

- A. www.netapp.com
- B. ftp.netapp.com
- C. now.netapp.com
- D. NetCache online help

**Answer: C**

**QUESTION 171**

Which one of the following services is not a service supported by ICAP?

- A. Virus scanning of content received through HTTP
- B. Virus scanning of email content
- C. URL filtering
- D. Active content stripping

**Answer: B**

**QUESTION 172**

When configuring NTLM authentication you must specify the \_\_\_\_\_.

- A. UNIX computer to use
- B. Windows domain controller to use
- C. RADIUS server
- D. None of the above

**Answer: B**

**QUESTION 173**

With clustered Data ONTAP 8.3, which construct contains data volumes and one or more LIFs through which they serve data to clients?

- A. vFiler
- B. Aggregate
- C. Storage Virtual Machine
- D. FlexVol

**Answer: C**

**QUESTION 174**

You are asked to design an application-focused data center using policy-based networking. Which architecture is valid for this new design?

- A. an architecture based on a spine and leaf topology that includes Nexus 9000
- B. an architecture based on FabricPath configured between Nexus 7000 and Nexus 5000
- C. an architecture based on Nexus 9000 to enable support for FCoE
- D. a three-tier architecture based on Nexus 9000 to improve high availability

**Answer: B**

**QUESTION 175**

What are two valid cluster interconnect switches? (Choose two.)

- A. NetApp CN1610
- B. Cisco Nexus 5596
- C. Cisco Nexus 9504
- D. Cisco Nexus 7004

**Answer: AB**

**QUESTION 176**

Which UCS Manager feature will allow you to have a consistent server configuration within the system?

- A. address pools
- B. service profile templates
- C. role-based access control
- D. same blade hardware configuration

**Answer: B**

**QUESTION 177**

A FlexPod design will be using a 4-node NetApp storage solution and requires a switch for the cluster interconnect. Which two switches are valid in this scenario? (Choose two.)

- A. Cisco Nexus 3048
- B. Cisco Nexus 5596UP
- C. NetApp CN1601
- D. NetApp CN1610

**Answer: BC**

**QUESTION 178**

A customer is designing a FlexPod with VMware vSphere 6.0. There is a requirement to centralize backup management of virtual machines with the ability to view storage configuration details from within the vSphere Web client. Automatic configuration of ESXi host storage settings is also needed. Which tool accomplishes all of the requirements?

- A. VAAI
- B. Virtual Storage Console
- C. SnapDrive
- D. OnCommand Insight

**Answer: D**

**QUESTION 179**

An administrator wants to see both the NetApp storage utilization values and the UCS port network capacity in the same dashboard. Which management tool provides this capability?

- A. OnCommand Performance Manager
- B. UCS Manager
- C. OnCommand Unified Manager
- D. UCS Performance Manager

**Answer: D**

**QUESTION 180**

Which mode must your Fabric Interconnects be using to participate in the Spanning Tree Protocol (STP) and send Bridge Port Data Units (BPDUs)?

- A. Switching Mode
- B. Loopguard Mode
- C. End Host Mode
- D. STP Mode

**Answer: D**

**QUESTION 181**

An architect is designing an Oracle FlexPod solution that must support non-disruptive upgrades across all of the hardware components. The Oracle workload requires a 4-node FAS system, including the NetApp CN1610 cluster interconnect switches. In this scenario, how many 10GbE ISL links are required between the two cluster interconnect switches?

- A. 8
- B. 2
- C. 0
- D. 4

**Answer: D**

**QUESTION 182**

A customer is evaluating management tools for a new FlexPod Infrastructure. They desire a tool that can orchestrate the provisioning of UCS compute nodes, NetApp storage, and VMware networking. Which tool satisfies the requirements of this customer's heterogeneous environment?



- A. UCS Central
- B. UCS Director
- C. NetApp OnCommand Unified Manager
- D. NetApp OnCommand Insight

**Answer: B**

**QUESTION 183**

You are configuring VMware ESXi to support QoS across the entire FlexPod environment. Which MTU setting is required to accomplish this task?

- A. 1536
- B. 9000
- C. 9124
- D. 4096

**Answer: C**

**QUESTION 184**

An architect is attempting to confirm that all logical interfaces (LIFs) are properly planned with a new clustered Data ONTAP 8.3 implementation. The customer wants to provision NFS datastores across the cluster to allow client access. In this scenario, which LIF role satisfies this requirement?

- A. data LIF
- B. intercluster LIF
- C. cluster-management LIF
- D. cluster LIF

**Answer: A**

**QUESTION 185**

You are deploying VMware on a FlexPod and require back up and space efficient cope services for VMware virtual machines. Which two are required to accomplish this task? (Choose two.)

- A. SnapDrive
- B. FlexClone
- C. Virtual Storage Console
- D. MetroCluster

**Answer: BC**

**QUESTION 186**

In addition to what is used in a FlexPod Datacenter design, which new hardware component is required to support Cisco Application Centric Infrastructure (ACI)?

- A. Cisco FEX
- B. Cisco VIC
- C. Cisco Nexus 1110X
- D. Cisco APIC

**Answer: D**

**Explanation:**

[https://www.cisco.com/c/en/us/td/docs/unified\\_computing/ucs/UCS\\_CVDs/flexpod\\_esxi55u2\\_n9k\\_aci\\_aff8040\\_design.html#\\_Toc425435693](https://www.cisco.com/c/en/us/td/docs/unified_computing/ucs/UCS_CVDs/flexpod_esxi55u2_n9k_aci_aff8040_design.html#_Toc425435693)

**QUESTION 187**

For customers who want to virtualize existing EMC, HP, Hitachi, and NetApp E-Series storage arrays, which feature is required?

- A. FlexClone
- B. FlexArray
- C. FlexVol
- D. FlexCache

**Answer: B**

**QUESTION 188**

A customer is designing a FlexPod environment and is preparing for an ESXI host installation. High availability is a requirement for the FlexPod design. The ESXI servers will be built with new iSCSI boot LUNs. Which two NetApp design components are required for this task? (Choose two.)

- A. iSCSI LIF IP addresses
- B. SVM target IQN
- C. boot LUN name
- D. boot LUN UUID

**Answer: AD**

**QUESTION 189**

Which two statements are true about VXLAN configured on Cisco Nexus 9000 Series switches operating in NX-OS mode? (Choose two.)

- A. VXLAN supports the Spanning Tree Protocol for loop prevention.
- B. VXLAN is a Layer 2 overlay scheme over a Layer 3 network.
- C. VXLAN segments are independent of the underlying network topology.
- D. VXLAN is only supported on Cisco Nexus 9000 Series switches.

**Answer: BC**

**QUESTION 190**

You are designing a FlexPod configuration with the Red Hat Enterprise Linux OpenStack platform. What is the OpenStack compute service for virtual machine management?

- A. Cinder
- B. Nova
- C. Glance
- D. Swift

**Answer: B**

**QUESTION 191**

You are configuring Cisco UCS servers for Fibre Channel SAN boot and want to perform zoning on your Cisco Nexus 5000 series switches. Which statement is correct in this scenario?

- A. Fibre Channel zoning on the Nexus series switches is not supported and can only be done on the Fabric Interconnects.
- B. The corresponding FC ports on your NetApp storage array must be configured in LACP mode.
- C. An iSCSI license on the NetApp storage controller is required.
- D. SAN links are required between the Fabric Interconnects and the Nexus 5000 switches.

**Answer: A**

**QUESTION 192**

You are building a new FlexPod solution and want to verify that you have cabled all the components according to FlexPod design best practices prior to putting your solution into production. Which tool would you leverage to validate the cabling?

- A. UCS Manager
- B. Config Advisor
- C. Resource comparison tool (RESCOMP)
- D. Solution builder

**Answer: B**

**QUESTION 193**

A customer wants to design virtual machines provisioned across their VMware vSphere cluster. They need to leverage resource sharing and load balancing of their virtual machines. Which VMware feature satisfies these requirements?

- A. VMware Storage vMotion
- B. VMware vMotion
- C. VMware DRS
- D. VMware Fault Tolerance

**Answer: C**

**QUESTION 194**

Which port type would you configure when you connect a chassis to the Fabric Interconnects?

- A. Fibre Channel storage ports
- B. server ports
- C. appliance ports
- D. Ethernet uplink ports

**Answer: B**

**QUESTION 195**

A customer is designing a FlexPod with VMware 6.0 in a SAN boot environment using FCoE. The customer has pre-determined the WWPN values for the NetApp LIFs and the UCS vHBAs. The customer is now working on the design workflow for the SAN boot process. In this scenario, which three FlexPod environment objects are required for SAN connectivity? (Choose three.)

- A. NetApp Export Policies
- B. initiator groups
- C. UCS IQN pools
- D. FC zones

E. UCS boot policies

**Answer: ACE**

**QUESTION 196**

What are three ways to configure a UCS 5108 server chassis power supply? (Choose three.)

- A. n+n redundant
- B. pooled
- C. non redundant
- D. n+1 redundant
- E. grid redundant

**Answer: CDE**

**QUESTION 197**

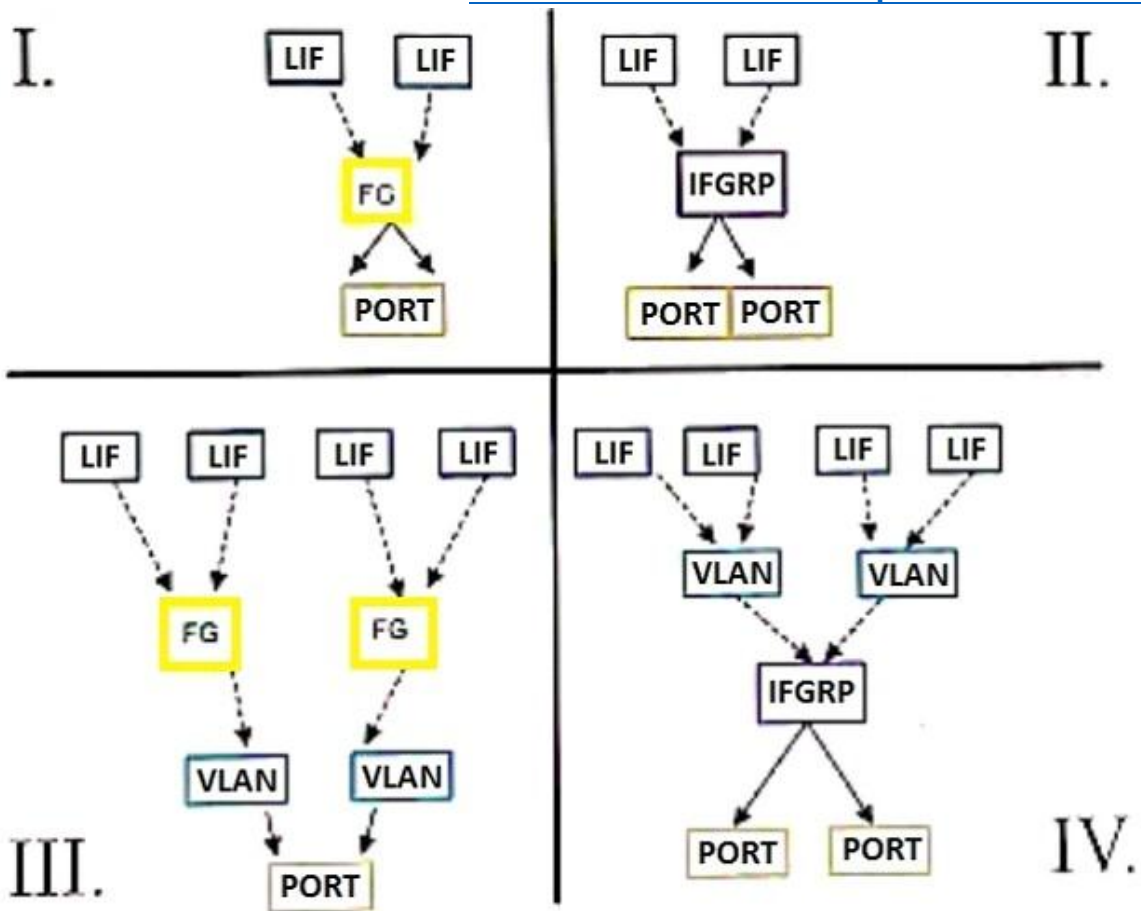
According to FlexPod CVDs, what is the recommended MTU size for iSCSI logical interfaces (LIFs) on the NetApp Storage Virtual Machine (SVM)?

- A. 1,500
- B. 3,000
- C. 9,000
- D. 9,124

**Answer: C**

**QUESTION 198**

Referring to the Exhibit. A customer wants to ensure that FlexPod Datacenter connections to the storage layer are highly available.



Which two configurations shown in the exhibit satisfy the customer's requirements? (Choose two.)

- A. IV
- B. II
- C. I
- D. III

**Answer: D**

**QUESTION 199**

An administrator decides to connect storage directly to the UCS Fabric Interconnect to support FCoE within a FlexPod configuration. In this scenario, which port type should be defined on the Fabric Interconnect ports connected to the storage controller?

- A. monitor port
- B. server port
- C. appliance port
- D. uplink port

**Answer: D**

**QUESTION 200**

You are designing a new FlexPod-based data center and configuring Virtual Port Channels (vPC) to provide the highest bandwidth throughput, link, and device resiliency to each of your FlexPod

systems. In this scenario, which two statements are true? (Choose two.)

- A. vPCs are an industry standard supported by all vendors.
- B. vPCs are required by the FCoE configuration.
- C. vPCs enable the use of the aggregate bandwidth.
- D. vPCs allow a single device to use a port channel across two upstream switches.

**Answer: CD**

**QUESTION 201**

You want to ensure minimal disruption to the UCS fabric in the case of a port failure between the blade chassis and the Fabric Interconnects of your FlexPod configuration. Which industry best practice would you implement as a global configuration to accomplish this task?

- A. Configure the chassis/FEX discovery policy to use N+1 mode.
- B. Configure the chassis/FEX discovery policy to use Port Channel mode.
- C. Configure the chassis/FEX discovery policy to use Discrete mode.
- D. Leave the chassis/FEX discovery policy in the default configuration.

**Answer: .....**

**Get Complete Version Exam NS0-170 Dumps with VCE and PDF Here**



<https://www.passleader.com/ns0-170.html>